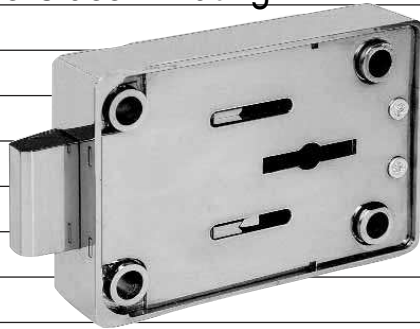


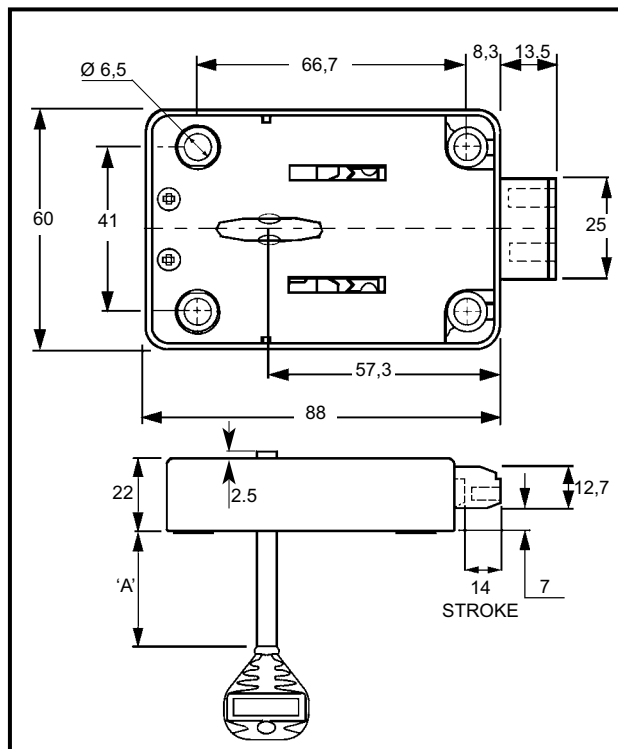
# 8 Lever Safe Lock

Without Key Guide Pin

Vds Class 1 Rating



## 3012



### PRODUCT REFERENCE NUMBERS

PRODUCT REFERENCE NUMBERS	KEY SERIES	COMBINATIONS	FIXING
3012060A	SR1	80,000	LEFT EDGE RH HINGED DOOR
3012080A	SR1	80,000	RIGHT EDGE LH HINGED DOOR

STANDARD MOVEMENTS: 6, 8

STANDARD FINISH: SELF COLOUR

DOUBLE BITTED KEY AVAILABLE IN 4 LENGTHS

DIMENSION 'A' = 15, 40, 70 OR 115, PLEASE SPECIFY WHEN ORDERING.

KEY RETAINED.

HIGH PRECISION DIE CAST & PRESSED STEEL COMPONENTS.

ANTI-PICK LEVERS FITTED AS STANDARD

HIGH STRENGTH BOLT DRILLED & TAPPED M4 X 12.